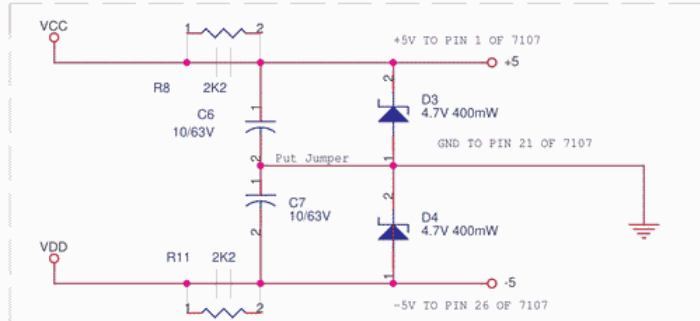


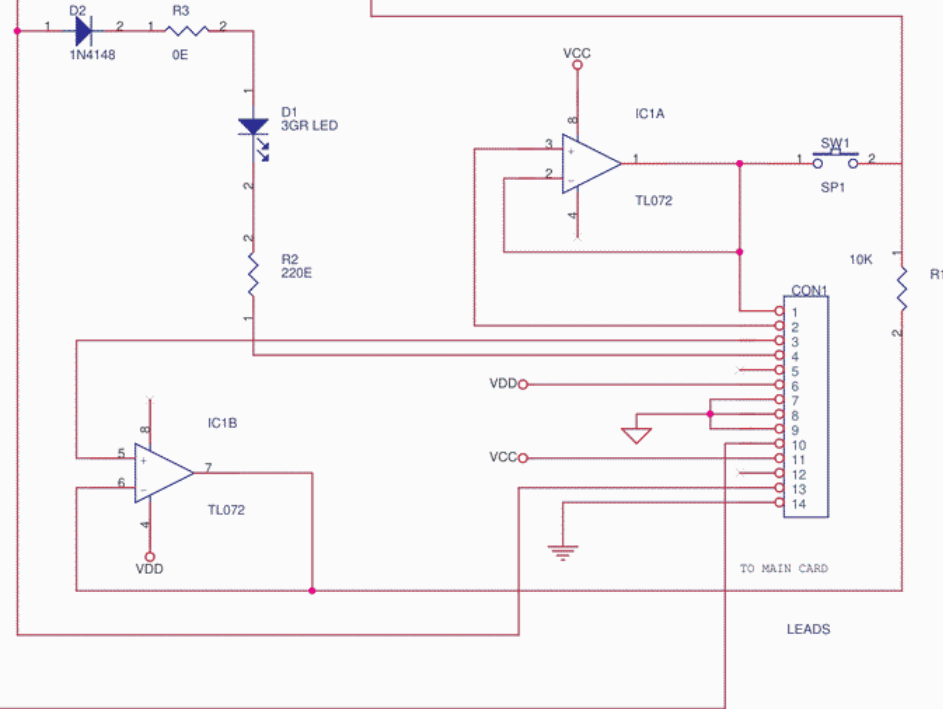
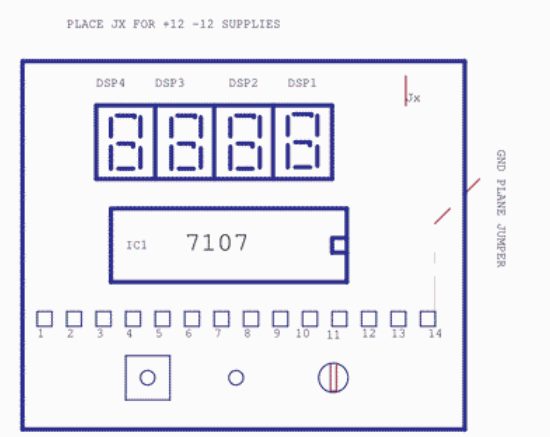
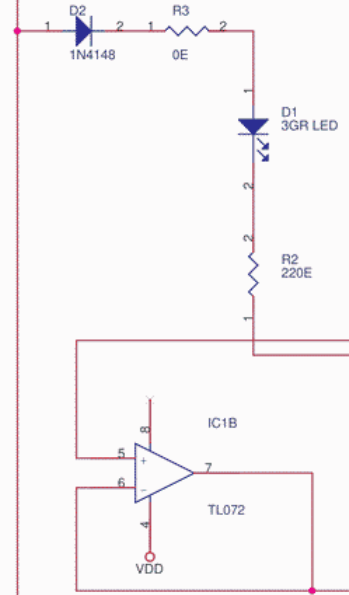
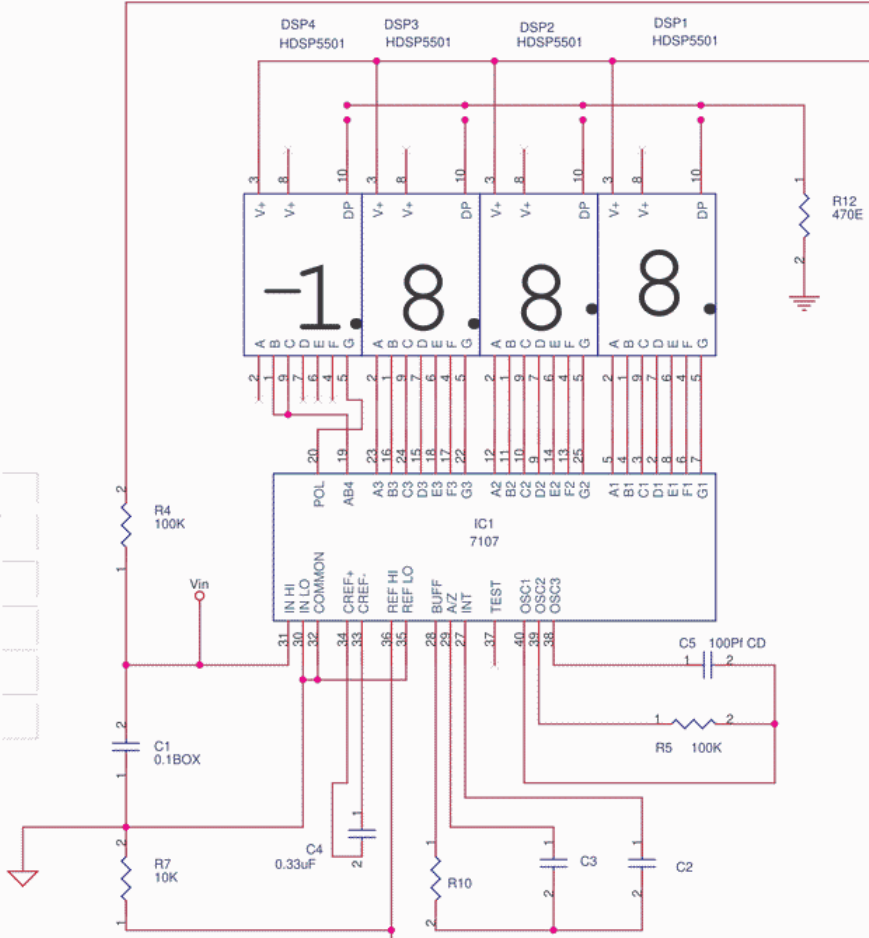
Reading = (Vin / Vref) * 1000 Counts

Vref 1.00V 100mV

R10	470K	47K
C2	0.22uF	0.22uF
C3	0.047uF	0.47uF
FS	1.999V	199.9mV



ADD ABOVE WHEN IC1 & IC3 OF MAIN CARD ARE 7812 & 7912



delabs design
 delabs-circuits.com
 delabs.net
 Intellectual Property